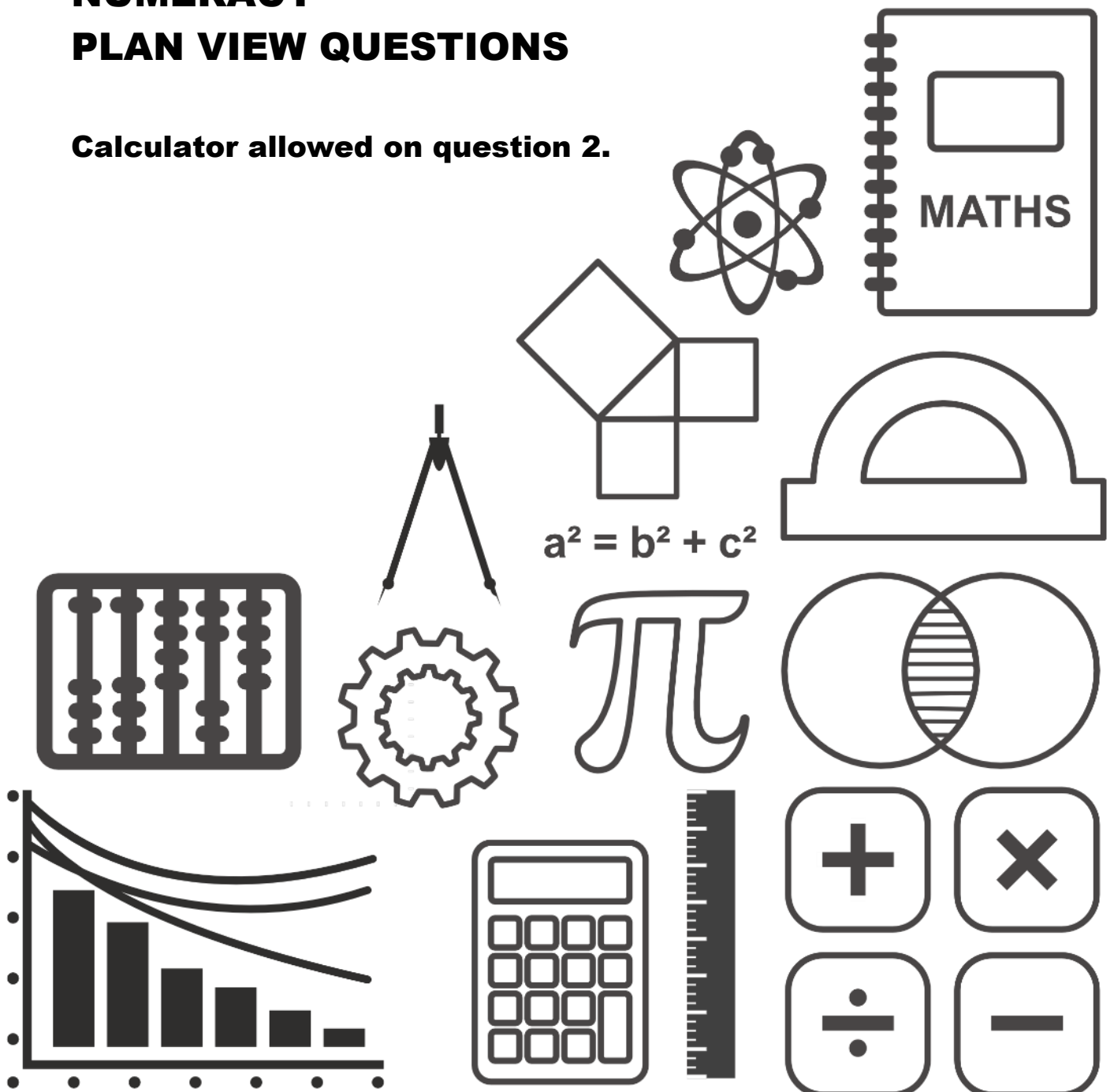


## GCSE TOPIC BOOKLET NUMERACY PLAN VIEW QUESTIONS

Calculator allowed on question 2.



1.

The picture shows a mountain hut.

The hut

- stands on a rectangular base,
- has a uniform cross-section.



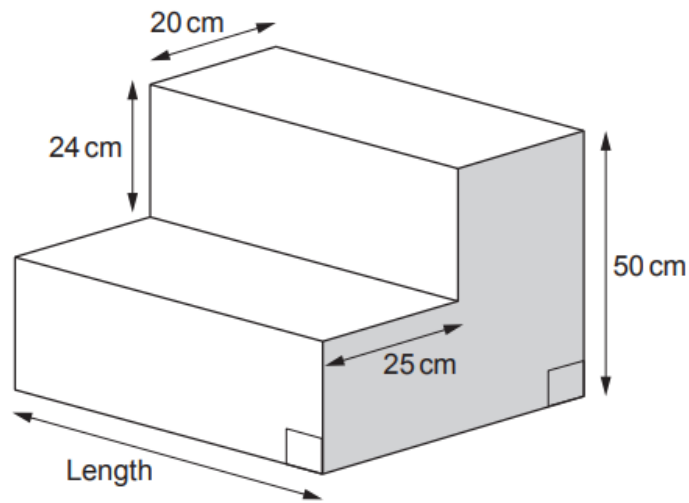
Draw a sketch of the plan view of the mountain hut.

[1]

2. The picture shows a solid concrete step.

The step:

- stands on horizontal ground,
- has all of its edges vertical or horizontal,
- has a uniform cross-section.



*Diagram not drawn to scale*

Draw a sketch of the plan view of the concrete step.

[1]