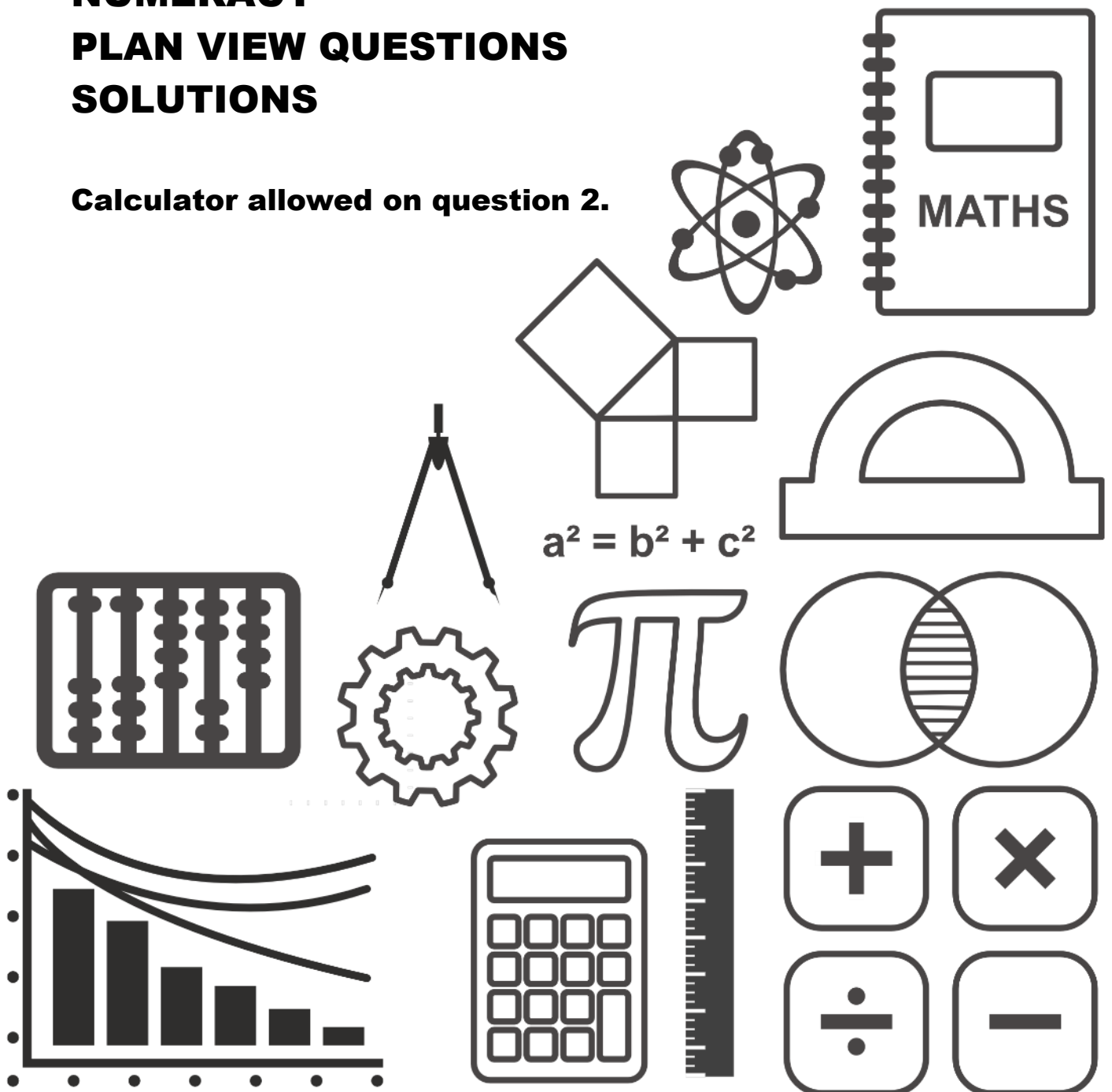


MATHSDIY

GCSE TOPIC BOOKLET NUMERACY PLAN VIEW QUESTIONS SOLUTIONS

Calculator allowed on question 2.

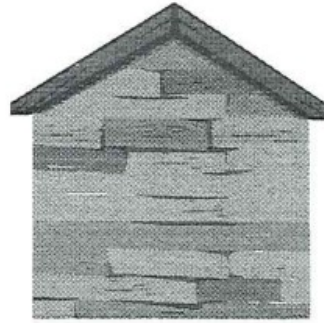


1.

The picture shows a mountain hut.

The hut

- stands on a rectangular base,
- has a uniform cross-section.



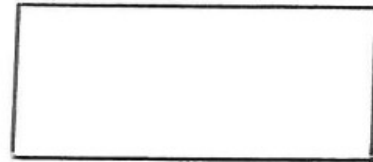
Draw a sketch of the **plan view** of the mountain hut.

[1]

→ the view if you were viewing from on top.



or



2. The picture shows a solid concrete step.

The step:

- stands on horizontal ground,
- has all of its edges vertical or horizontal,
- has a uniform cross-section.

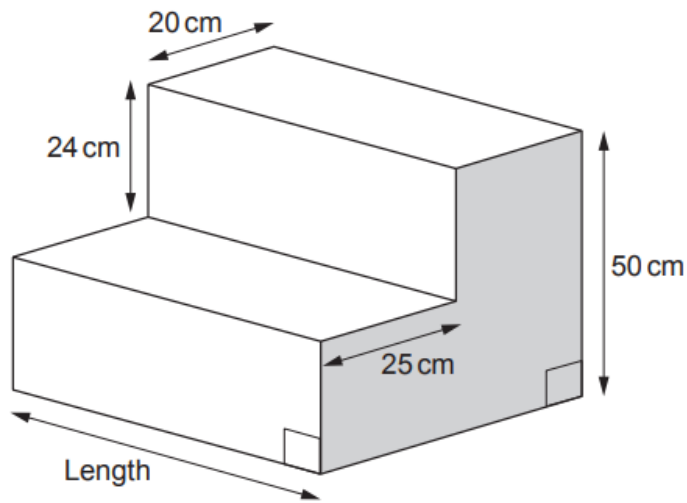
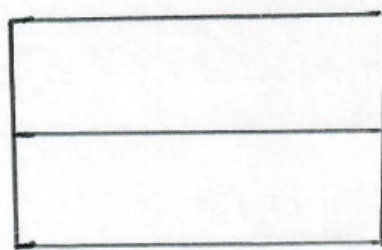


Diagram not drawn to scale

Draw a sketch of the plan view of the concrete step.

[1]



any
orientation